

sun square

design wurz

SHADE FLA
LIVE OUTDOORS · STAY SHADED



THE GARDEN BECOMES A LIVING ROOM.
YOUR OWN LIMITS BECOME THE HORIZON.
THE DAILY GRIND BECOMES A VACATION.

SQS

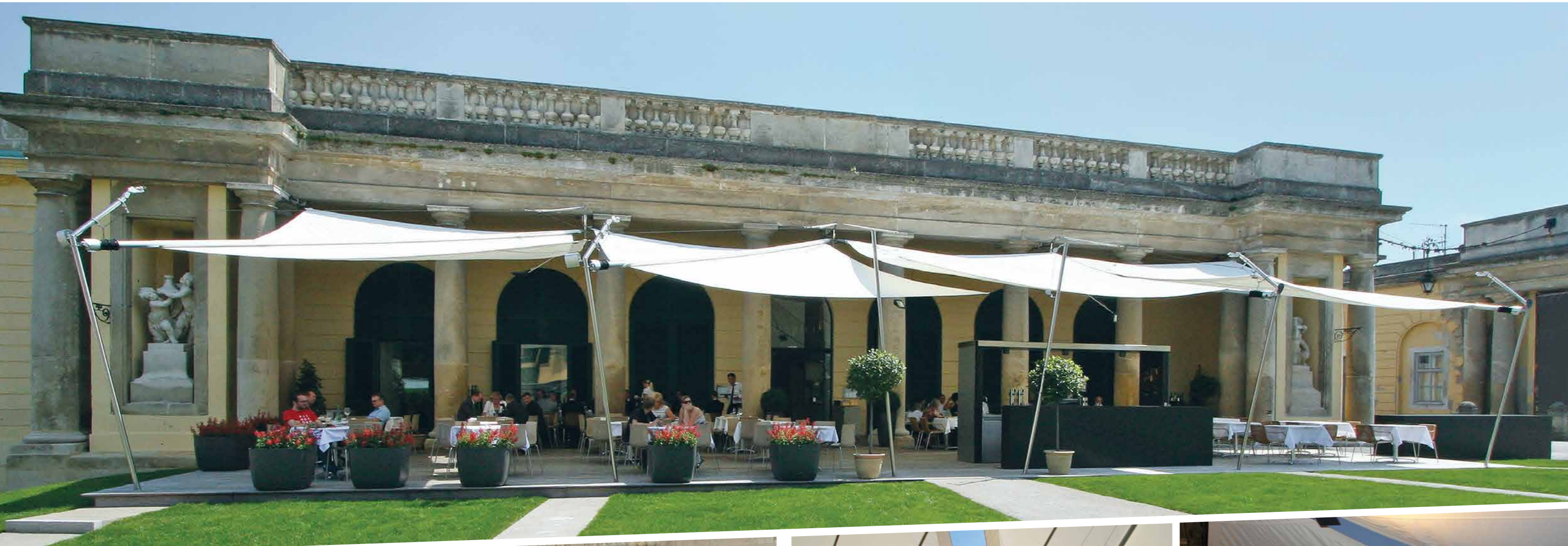


OPEN AIR, BUT STILL PROTECTED.

Summer. Expanding the living room. Bringing private lives outside. The sail becomes the roof. SunSquare® blurs the border between house and garden. Opens up new living spaces. Lets summer breathe. And protects against the sun. And rain.

A MODERN CLASSIC.
WE MEET OUTSIDE.
VISITORS BECOME GUESTS.

SQS



HARMONIC INTEGRATION. EVEN IN A LANDMARKED AREA.

Expanding the dining room. Offering guests more. In the garden, in the courtyard, on the terrace, at the pool.
Enjoy the day, the evening, the night in the shade of the sail.
Make plans, chat, eat and drink. Time flies.

SQK-I

THE SUN. THE WIND.
ABOVE THE ROOFS.
STABILITY AND SAFETY.



YOUR ROOF DECK. YOUR SUN SAIL. UNIQUE.

All SunSquare® solutions have one thing in common.
Always stable, no matter the size.
The sail automatically rolls up at wind speeds of 40 km/h or more.



BE A GUEST UNDER THE SAIL.

Stainless steel supports. Carbon ropes. The triangle sail floats.
Provides shade and plays with the light. Automatically, at the touch of a button.
Top technical performance in transparent simplicity.

SHADE FOR ALL.
DESIGN FOR EVERYONE.
IN THE PUBLIC SPACE.

SQK-II



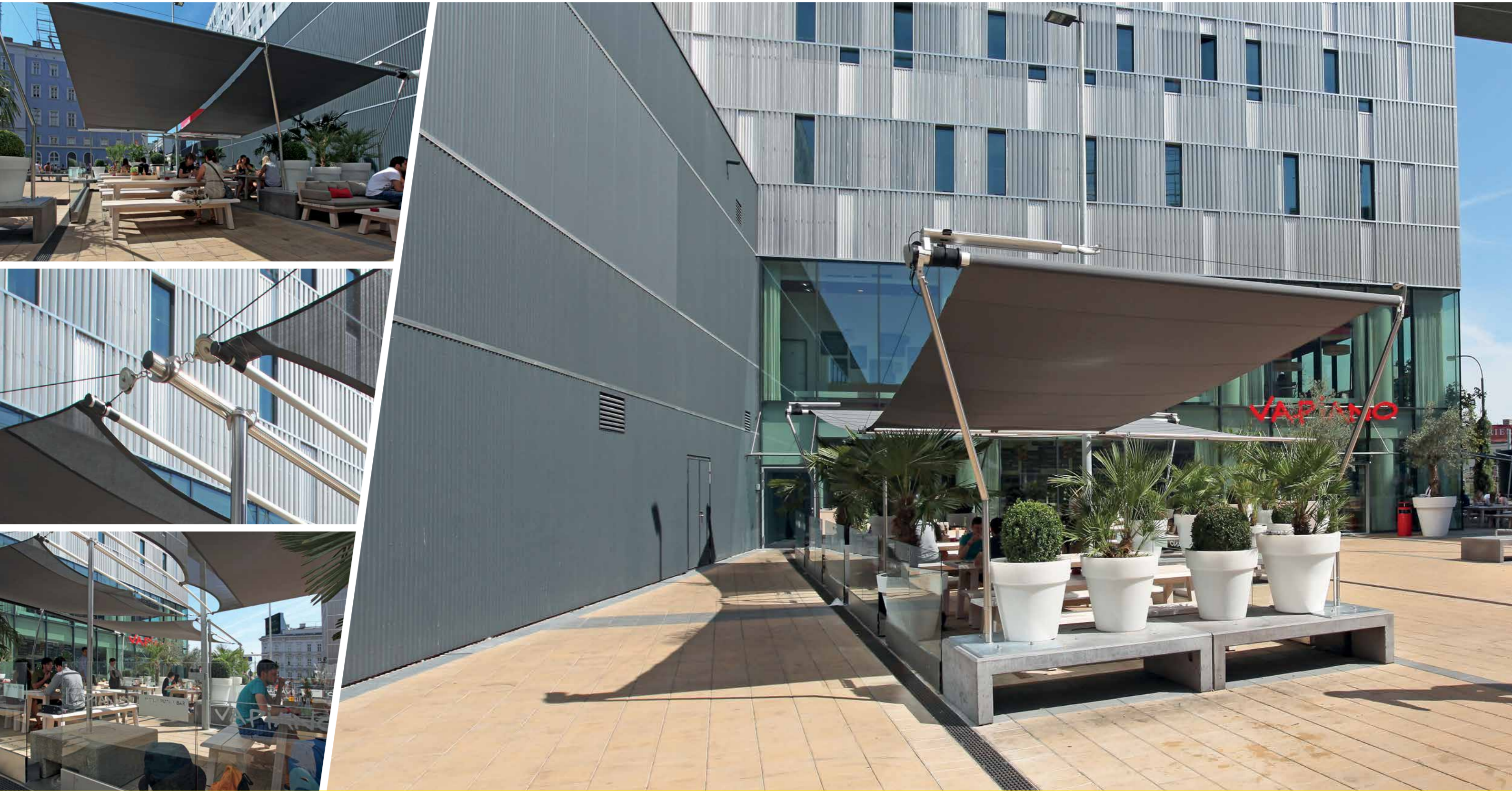
OASIS OF SHADE.

The front yard for art.
Protection in the open air.
In the shade of the sail.



THE SAIL BECOMES THE ROOF.

Each area is different.
A rectangular footprint. Maybe even long and narrow.
Provides shade for new rooms.



IN FRONT OF UTILITARIAN BUILDINGS, CLASSICS AND LANDMARKS.

The restaurant. The museum. The preschool. The hospital.
Breathe deeply and gather strength.
For all needs.

STRUCTURE AND SYMMETRY.
CARRY ON WHAT EXISTS.
UNDERSTAND AND EXPAND.

AX-II



COMPLY WITH THE CUSTOMER'S WISHES.

Architecture wants to be seen and understood.
A sun sail must be able to speak the existing language.
Understanding between the existing structure and the addition.

**INNOVATION AND TIMELESSNESS.
NEW TECHNOLOGY, NEW BENCHMARKS.
SETTING SAIL INTO THE FUTURE.**

AX-II



NEW MATERIALS. NEW DESIGN. NEW SOLUTIONS.

SunSquare® always thinks ahead and continues to reinterpret its classics.
Each terrace is different. Each solution is different.
Always stable. Always unique.

CANTILEVER

TRANSCENDING LIMITS.
TOUCHING THE HORIZON.
EXPERIENCING FREEDOM.



WITH REDUCTION TO THE ESSENTIAL.

SunSquare® lets the sun sail float.
And lets the wave crash freely.
New perspectives and promises.

SPECIAL VERSIONS

PROFESSIONALISM OBLIGATES.
COMPLEX STRUCTURES ARE WANTED.
SUN SQUARE® IS FOUND.



WHERE OTHERS ARE AT A LOSS.

The border to industrial engineering was recognized.
And transcended by SunSquare®.
Our customers wanted that.

AFTER SUNSET, SAILING IN THE LIGHT.
IN THE SHADOW OF THE NIGHT.
STAY OUTDOORS, BUT BE PROTECTED.

SQL - ILLUMINATION TECHNOLOGY

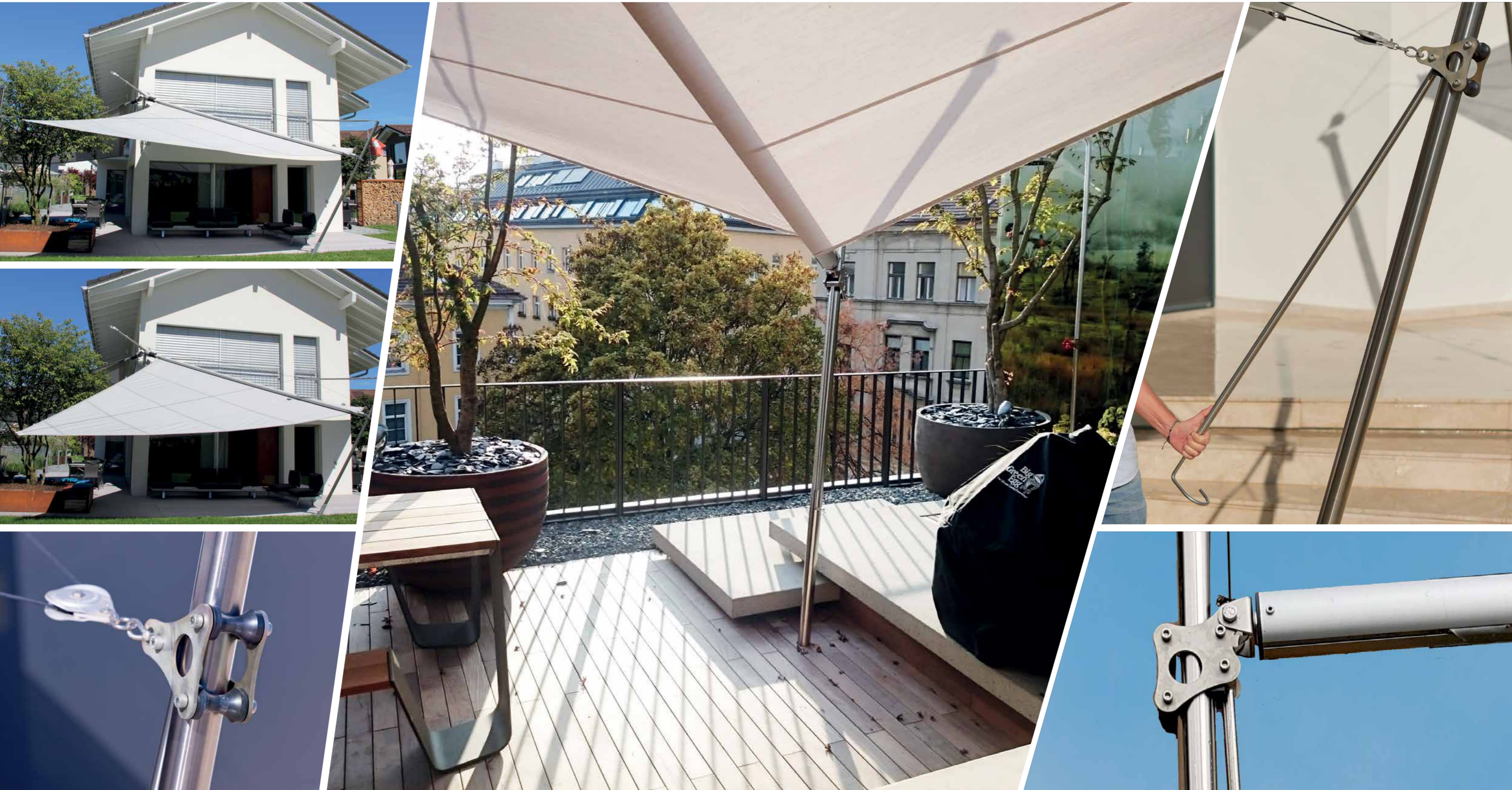


DURING THE DAY, SHADE. AT NIGHT, LIGHT.

The sun sail becomes a light sail.
Illumination systems create new spaces.
On a light island under the stars, secure under the sail.

HEIGHT ADJUSTER

THE SHADOW HIKES WITH THE SUN.
THE SUNNY LEVEL IS TRYING.
VARIABLE IN TILT AND HEIGHT.

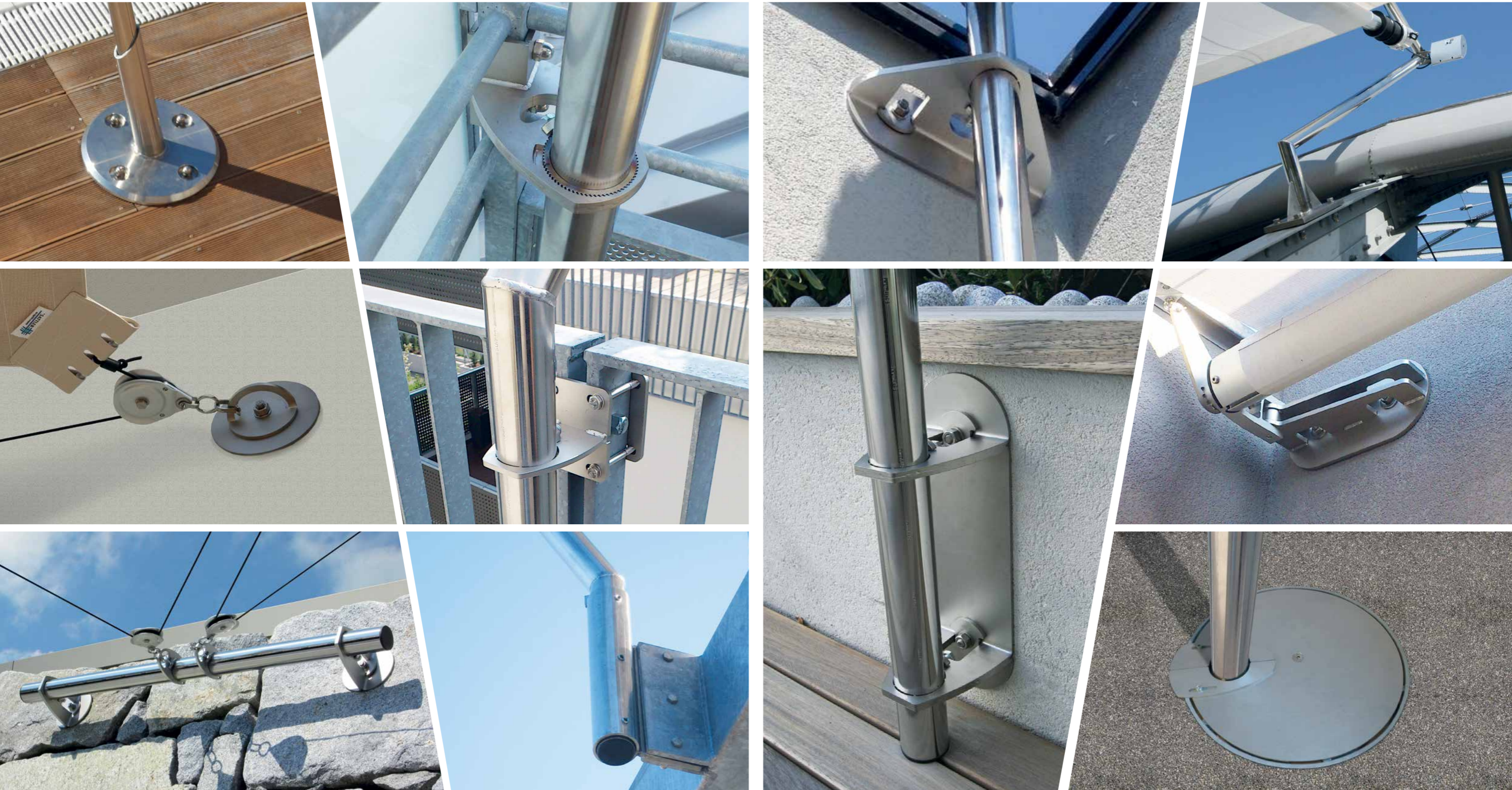


The deep sun.
The height adjustable shaft.
The invention of SunSquare®.

OPTIMIZED DRAINAGE INCLUDED.

**FORM AND FUNCTION.
STABILITY AND POWER TRANSMISSION.
MEETING THE TORQUE.**

NIROLINE®



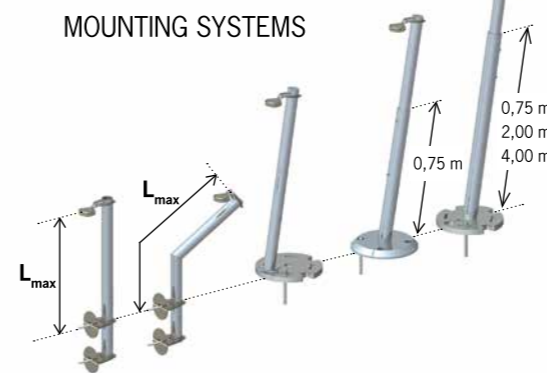
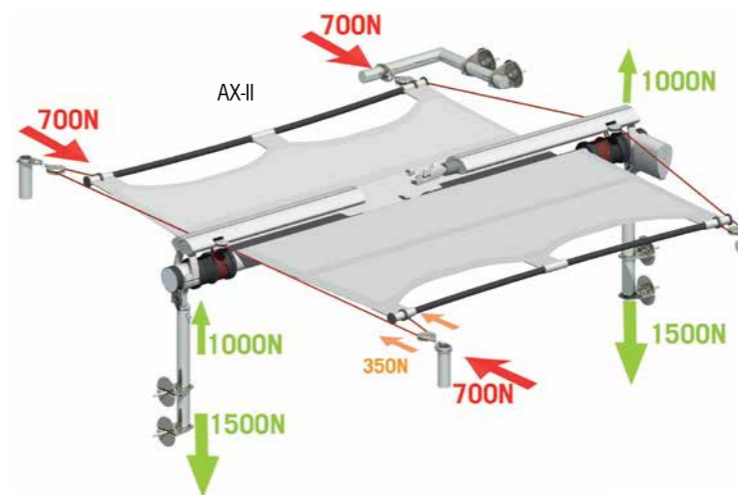
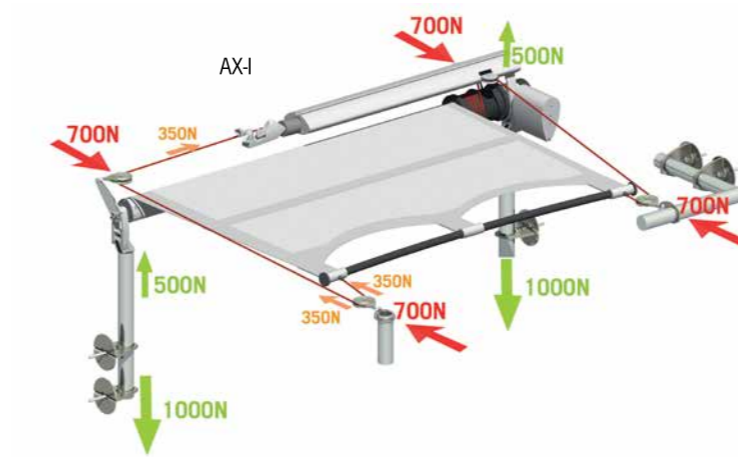
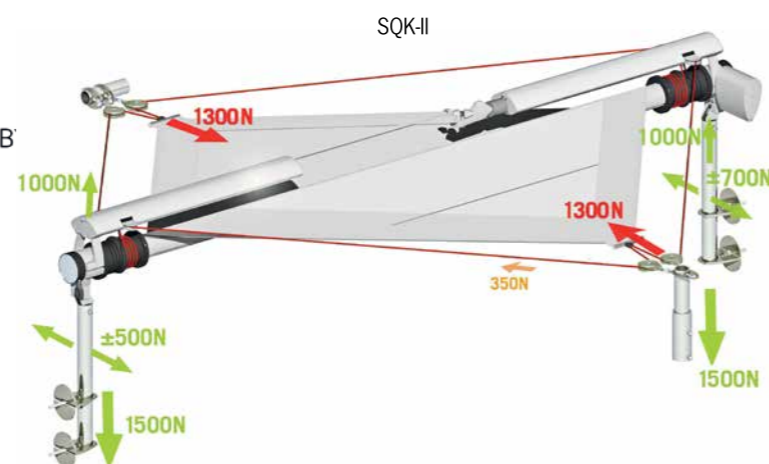
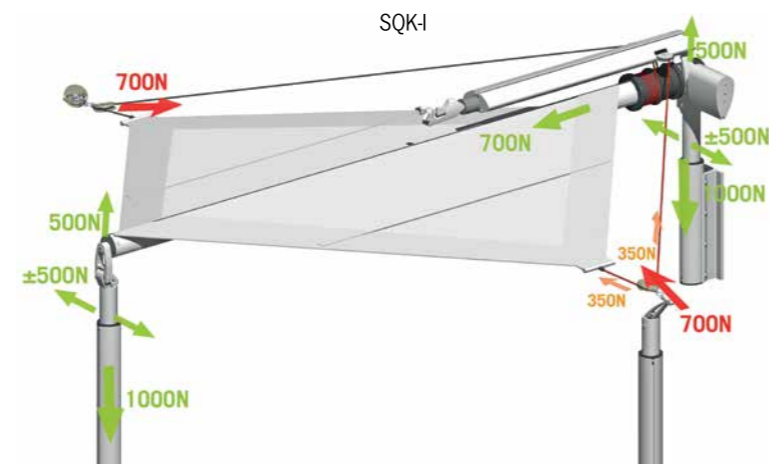
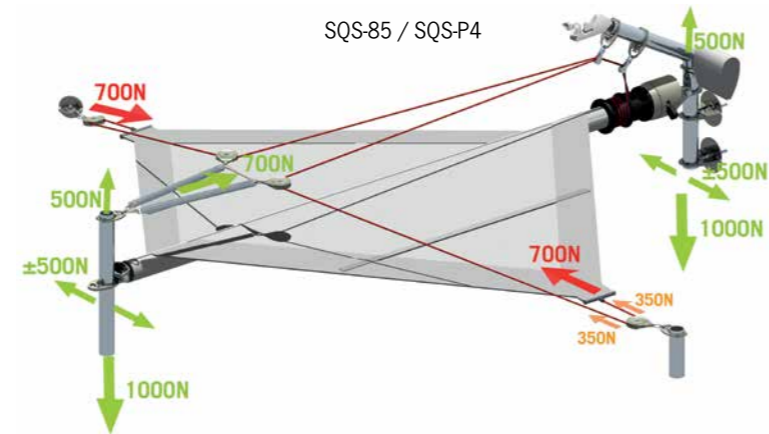
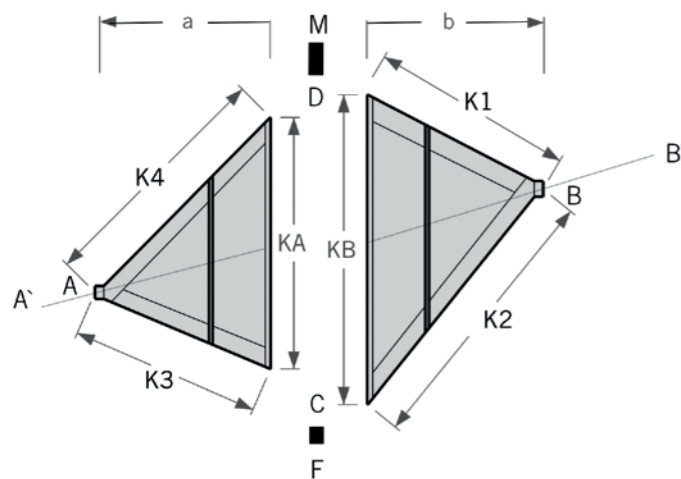
SOLID STAINLESS STEEL. GLASS BEAD BLASTED SURFACES.

NIROLINE® by SunSquare® guarantees power transmissions.
WM 6010, WM2 6010, GPV 60, WK 6010, R 6060, GPV 60 T, WAX 8, WR 95, S 6010, etc.
And should NIROLINE® for once not meet the requirements, a special solution will be found.

TRIANGULAR SAIL

Triangular sails can also be cut asymmetrically, whereby the edge lengths (K1:K2 or K3:K4) can differ by a ratio of up to 1:1.3. The tension of the canvas along the centroidal axis ensures uniform hanging of the sail edges (about 5% of edge length). Optimum rainwater drainage can be achieved at a sail incline of 15° or more. Existing wind forces permit a maximum wave incline of 45°.

	SQS-85	SQS-P4	SQK-I	SQK-II	SQ-CANT
K1:K2 (K2:K1)	1:1,3	1:1,3	1:1,3	1:1,3	1:1,3
K3:K4 (K4:K3)	1:1,3	1:1,3	1:1,3	1:1,3	1:1,3
K1, K2, K3, K4	7,5 m	8,5 m	8,5 m	9,0 m	8,5 m
KA, KB	9,3 m	12,9 m	12,9 m	12,9 m	5,0 m
MF	10,0 m	13,5 m	13,5 m	13,5 m	5,7 m
a,b	6,0 m	7,0 m	7,0 m	7,0 m	7,0 m
Δ=a-b	±0,5 m	±0,5 m	±0,5 m	±0,5 m	±0,5 m
BB'	30 cm	30 cm	30 cm	30 cm	30 cm
AA'	30 cm	30 cm	30 cm	30 cm	30 cm
MD	50 cm	50 cm	40 cm	40 cm	70 cm
FC	20 cm	20 cm	5 cm	40 cm	5 cm
max. m²	50 m²	50 m²	50 m²	70 m²	35 m²

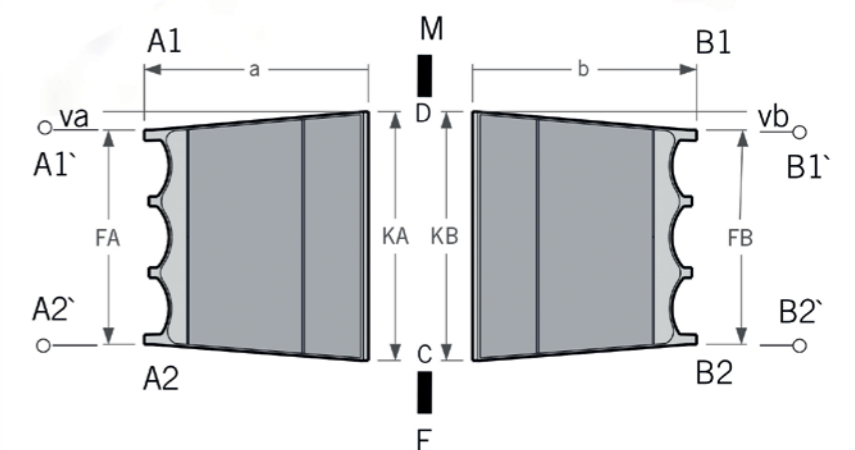


	L _{max} Wandstützen		L _{max} Bodenstützen		
ø 33 mm	0,6 m	0,4 m	-	-	-
ø 48 mm	1,3 m	1,2 m	3,5 m	-	-
ø 60 mm	2,3 m	2,3 m	3,8 m	3,0 m	-
ø 60 mm + mandrel	4,5 m	4,0 m	3,8 m	5,2 m	6,0 m

RECTANGULAR SAIL

AX-40 can be telescoped on one side, AX-80 on both sides, with a sail length of up to 7 m per side. A front rod with one traction rope each at the end points stretches the front sail edge. Canvas with UV protection, rain protection, fire retardant in different textures and colors.

	AX-I	AX-II	AX-CANT
FA, FB	max. 5,2 m	max. 5,2 m	max. 5,2 m
Kanten	min. 2°-9°	min. 2°-9°	min. 2°-9°
va, vb	30 cm	30 cm	30 cm
KA, KB	5,8 m	5,8 m	5,0 m
MF	6,4 m	6,4 m	5,7 m
a,b	7,0 m	7,0 m	7,0 m
Δ=a-b		10 cm	10 cm
B1B1', B2B2'	30 cm	30 cm	30 cm
A1A1', A2A2'	30 cm	30 cm	30 cm
MD	40 cm	40 cm	70 cm
FC	5 cm	40 cm	5 cm
max. m²	38 m²	76 m²	40 m²



DRIVE TECHNOLOGY

The motor is located inside the shaft. The wind monitor triggers automatic roll-up at wind speeds of more than 40 km/h. The patented, self-contained, pre-stretched rope system uses springs to compensate for the wind forces that affect the system. This allows the sail to billow while maintaining the tension. The forces that apply to attachment points A' and B' remain constant at about 700N (70 kg). Visible functionality in the form of stainless steel springs for the classic rope pull system (SQS-85, SQS-P4). Invisible technology for SQK and AX: the compensator with interior pneumatic spring. Two rope pulls and two compensators each are used for sail areas > 50 m² (SQK-80, AX-80).

SunSquare® relies on its extensive portfolio of mounting systems made from stainless steel components or aluminum components. The supports are manufactured as floor supports or wall supports specifically for each situation and set of requirements.

ORIGINAL SUNSQUARE® SUNSAIL SINCE 1993.



SHADE FLA

561 NE 79th Street, Suite 330, Miami, FL 33138

Office: 305-759-7423 - Toll Free: 1-800-MIA-SHADE - Fax: 1-888-593-2018 - Email: margueritte@shadefla.com